



KÄLTETECHNIK
KLIMATECHNIK
LÜFTUNGSTECHNIK



PTF

AIR-CONDITIONING EXPERTISE FOR MEDICAL TECHNOLOGY
Individual solutions • Innovative technology • Perfect execution

AGENDA

The Company

- Core expertise
- Product range & areas of business
- Facts and figures

The benefits for you

- One-stop project service
- Logistics & service
- Advantages & benefits

Applications & references

- Quality standards & norms
- MRI, CT & angiography
- References & customers



THE COMPANY KS

Leading in medical technology

KS Kälte-, Klima- und Lüftungstechnik GmbH is an internationally successful special provider of refrigeration, air-conditioning and ventilation systems for industry and the medical technology sector.

The company has over 20 years of experience and expertise in the planning, project management, installation and maintenance of projects of all sizes, very often working under extreme and challenging conditions.

Our solutions are individually tailored to conditions on site. We are also able to find efficient and pioneering ultra-technical solutions to meet the most demanding challenges.

Quality and innovation are the driving forces behind our continuous growth.



OUR SUBSIDIARY COMPANY - DEUTSCHE.KLIMAT.RU

Leading in medical technology for CIS market

- DeutscheKlimat.RU LLC is a subsidiary of the German company KS Kälte-, Klima- und Lüftungstechnik LLC and an official partner in the Russian Federation.
- They have a necessary number of German and Russian engineers and managers who specialize in the construction and functionality of systems that enable uninterrupted operation of sophisticated medical systems (MRT, CT).
- DeutscheKlimat.RU LLC is a reliable company with a German approach and German quality. Just contact [DeutscheKlimat.RU LLC](https://www.deutsche-klimat.ru) if you have an projekt on the CIS market and you will get a solution at a high professional level in short time.



OUR PARTNER COMPANY - PTF

Leading in medical technology for Saudi-Arabian and MEA market

- **PTF – Project task force contracting Est.** The Project Task Force Contracting is a Saudi Establishment which was established in the kingdom of Saudi Arabia in 2010 as a pre – installation contractor.
- PTF recognizes its responsibility as provider for medical equipment, the installation and supply of RF cabins and turn key projects, which fully comply with Saudi rules and regulation and governing policies.
- Our quality assurance program is complete and responsive to all requirements of **ISO 9001:2008**. The project task force contracting is one of the contractor in the field of complete pre-installation, preparatory services (General Contracting, Mechanical Equipment installation, supply and installation of RF cabin, HVAC, Electrical, Plumbing, Firefighting, BMS. Etc..), operation and maintenance in Kingdom of Saudi Arabia.



PRODUCT RANGE & AREAS OF BUSINESS



MEDICINE / TECHNOLOGY

- Magnetic resonance imaging (MRI)
- CT scanners
- Linear accelerators
- Operating room ventilation systems



COMMERCIAL

- Office air-conditioning
- Server rooms
- Commercial refrigeration



INDUSTRY

- Process cooling
- Clean room ventilation
- Full and partial air-conditioning



DOMESTIC

- Residential air-conditioning
- Heat pumps

MEDICAL / TECHNOLOGY BUSINESS AREA IN DETAIL

Air-conditioning systems for

- Magnetic resonance imaging (MRI)
- CT scanners
- Angiography
- Operating theatres
- Linear accelerators
- Cyclotrons
- Positron emission tomography (PET)



FACTS & FIGURES KS

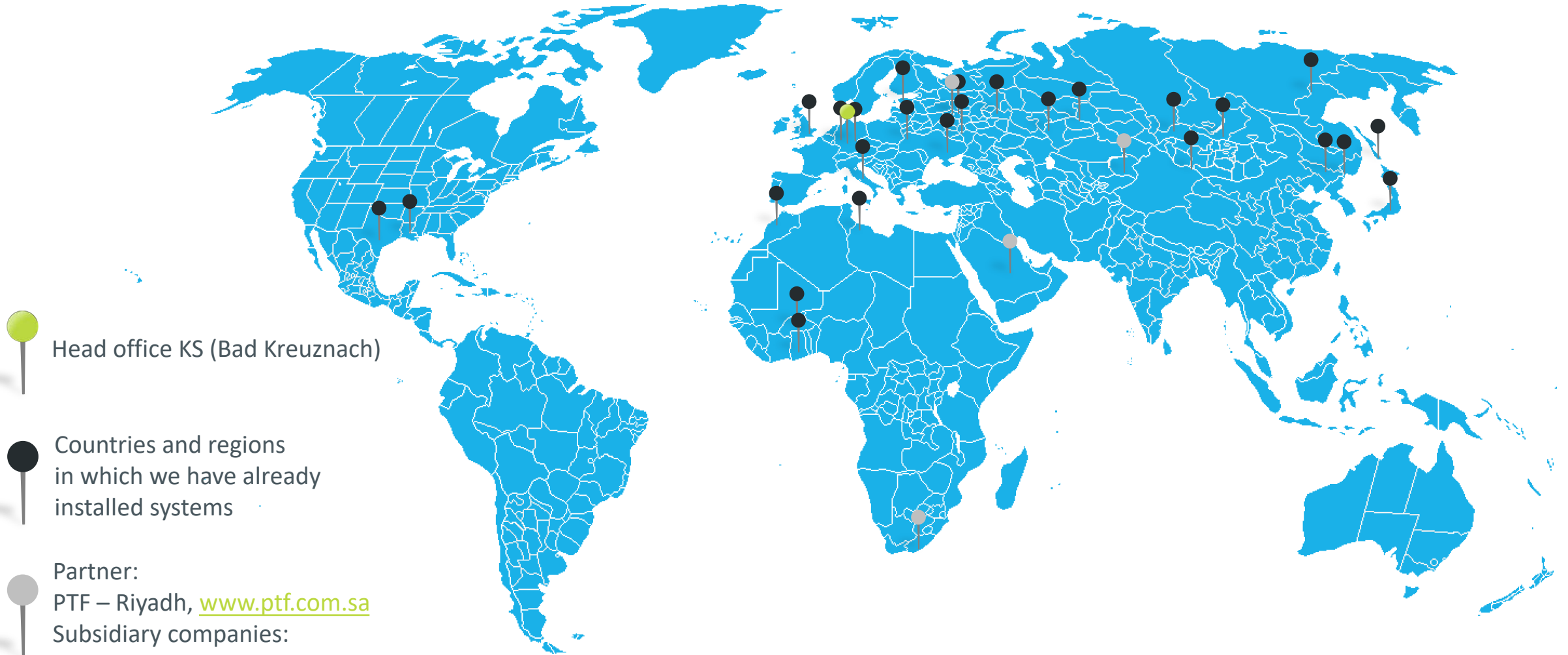
- Foundation year (Germany) **1999**
- Number of employees **40**
- Export share **approx. 80 %**

Partner companies in Russia/Kazakhstan

	Russia	Kazakhstan
• Foundation year	2011	2012
• Number of employees	15	4

Medical technology share **approx. 70 %**
Reference projects in medical technology **over 500**

GLOBALLY ACTIVE



Head office KS (Bad Kreuznach)



Countries and regions
in which we have already
installed systems



Partner:

PTF – Riyadh, www.ptf.com.sa

Subsidiary companies:

DeutscheKlimat.RU - Moscow, www.de-klimat.ru

Almaty, Port Elisabeth



Components and design

The solution for your project

EXAMPLE PROJECT - TYPE OF CHILLERS

Non Arctic



Arctic



Low Noise



EXAMPLE PROJECT - COMPONENTS

Air ducts & fans



EXAMPLE PROJECT - COMPONENTS

Fan Coil „Soffio 81“



Emergency air fan



Water transfer station & Humidifier



EXAMPLE PROJECT - COMPONENTS



Electrical wiring



EXAMPLE PROJECT – COMPONENTS PIPING

Copper tube



Insulation & protection



EXAMPLE PROJECT – OPTIONS

Fan Coil UPS-Room



Fan Coil Control-Room





COMPETITIVE ADVANTAGES

The benefits for you

PROJECT STEPS

Support along the entire process chain

We have the knowledge, expertise, manpower and logistics to ensure the one-stop completion of entire projects.

The inspection and the analysis of local conditions forms the basis for optimum solutions.

1. Site visit and concept development
2. Generation of quotations
3. Project management and control
4. Packaging and delivery of materials
5. Installation of the complete system by our own engineers
6. Commissioning and test run
7. Handover and instruction
8. Maintenance and after-sales service



EXTENT OF SERVICES OFFERED

Full service with responsibility

- Analysis and consultation
- Concept development
- Planning and design
- Implementation/Installation
- Documentation
- Acceptance by experts, e.g. TÜV
- Service and maintenance



HOW WE WORK

Solutions for each individual case

- Analysis of requirements and professional personal advice from our qualified specialists
- Consideration of technical requirements
- The result: well solutions in compliance with relevant standards offering state of the technology



WHAT SETS US APART

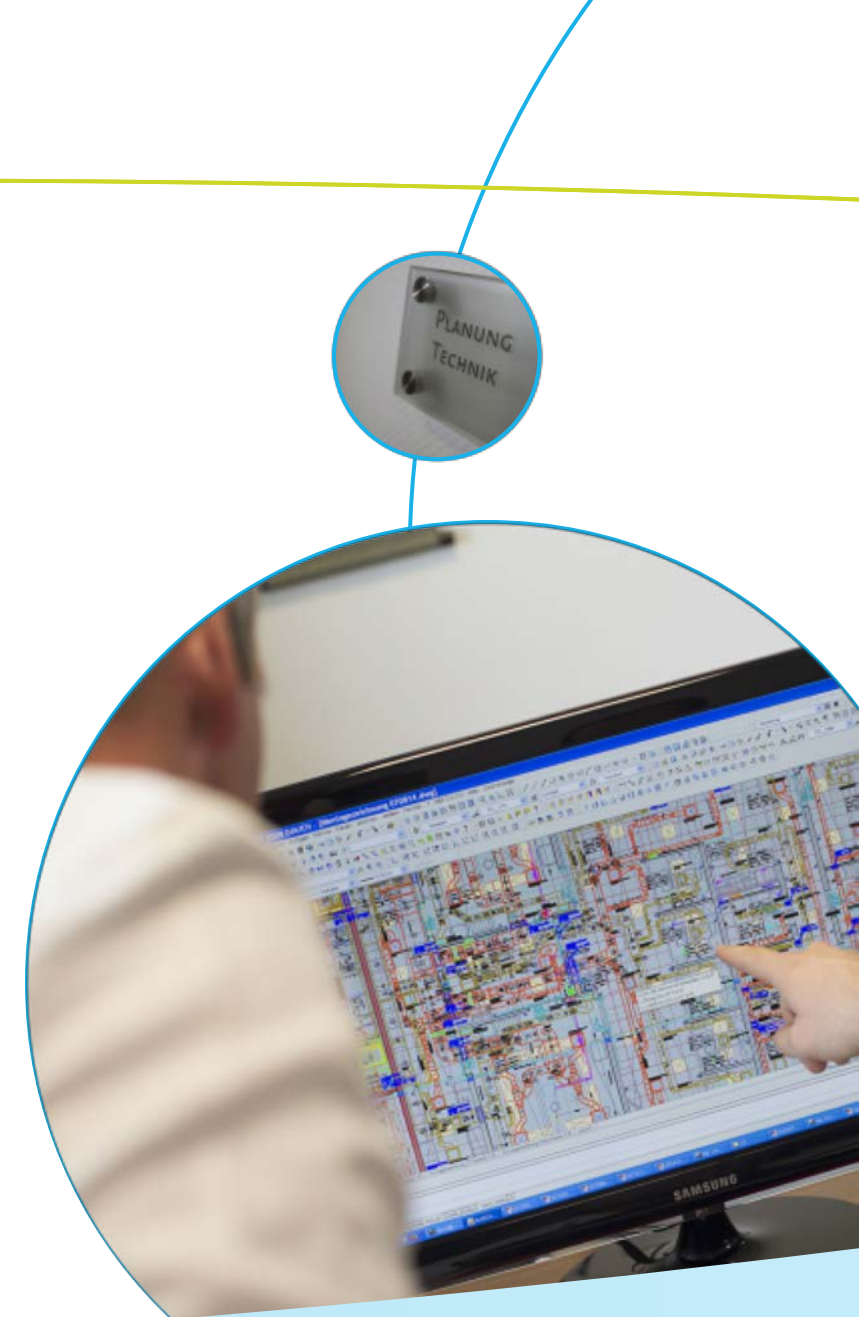
Expertise & resources

We support the success of your projects through

- Trained and flexible employees
- Strong and reliable partnership
- Support and advice
- Constant availability

We provide you

- In-house design department
- In-house produced non-standard components
- Flexible spare parts
- High-quality systems
- Components from trusted manufacturers



THE BENEFITS FOR YOU

Fast and cost-effective

Pricing

- Value-for money
- Budget control

Schedules

- Compliance with delivery dates
- Project completion within the agreed timescale
- Quick response time, even worldwide, with the help of partner companies in Russia, Kazakhstan and Saudi-Arabia
- Fast help and constant availability in the event of malfunctions – 24/7



TIME SAVINGS THANKS TO IN-HOUSE WAREHOUSE

Complete systems in the shortest possible time

We are able to deliver complete refrigeration, air-conditioning and ventilation systems for the MRI and CT departments, thanks to our in-house warehouse facility.

Quick availability of

- Chillers
- Ventilation equipment
- Recirculation coolers
- Split air-conditioning units
- Installation material



OUR WAREHOUSE AT A GLANCE

Impression of the warehouse





APPLICATIONS & REFERENCES

QUALITY ASSURANCE & PERFORMANCE

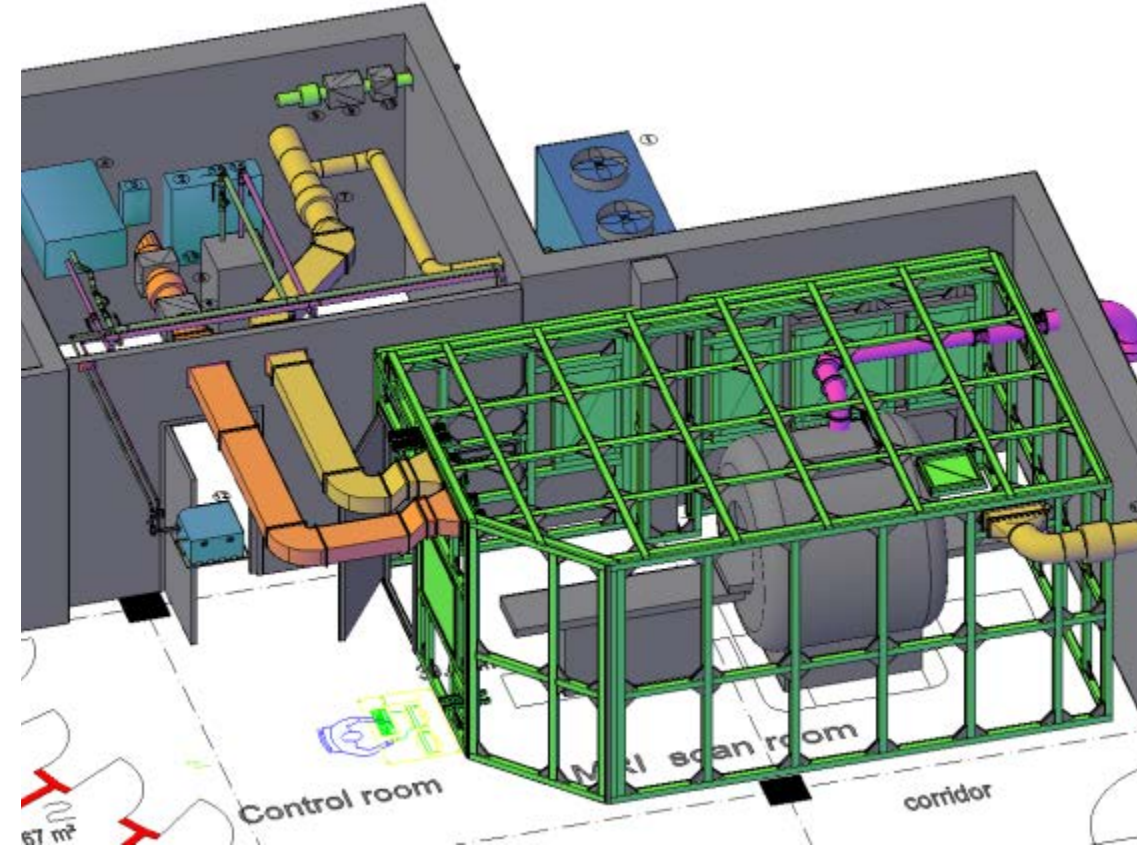
We meet the ultimate demands

- DIN ISO 9001/2000, DIN 14001
- § 5/6 Chemicals Climate Protection Regulation (ChemKlimaschutzV)
- Certification of all employees
- Provision of ventilation systems for all classes of operating rooms
- DIN 1946 Part 4 and VDI 6022
- Use of Arctic and Non-Arctic version of chillers, for outside temperatures from -50°C up to + 55°C
- Installation of the systems in accordance with Ghost-R, UL, ETL, CE, CCC etc.

MRI

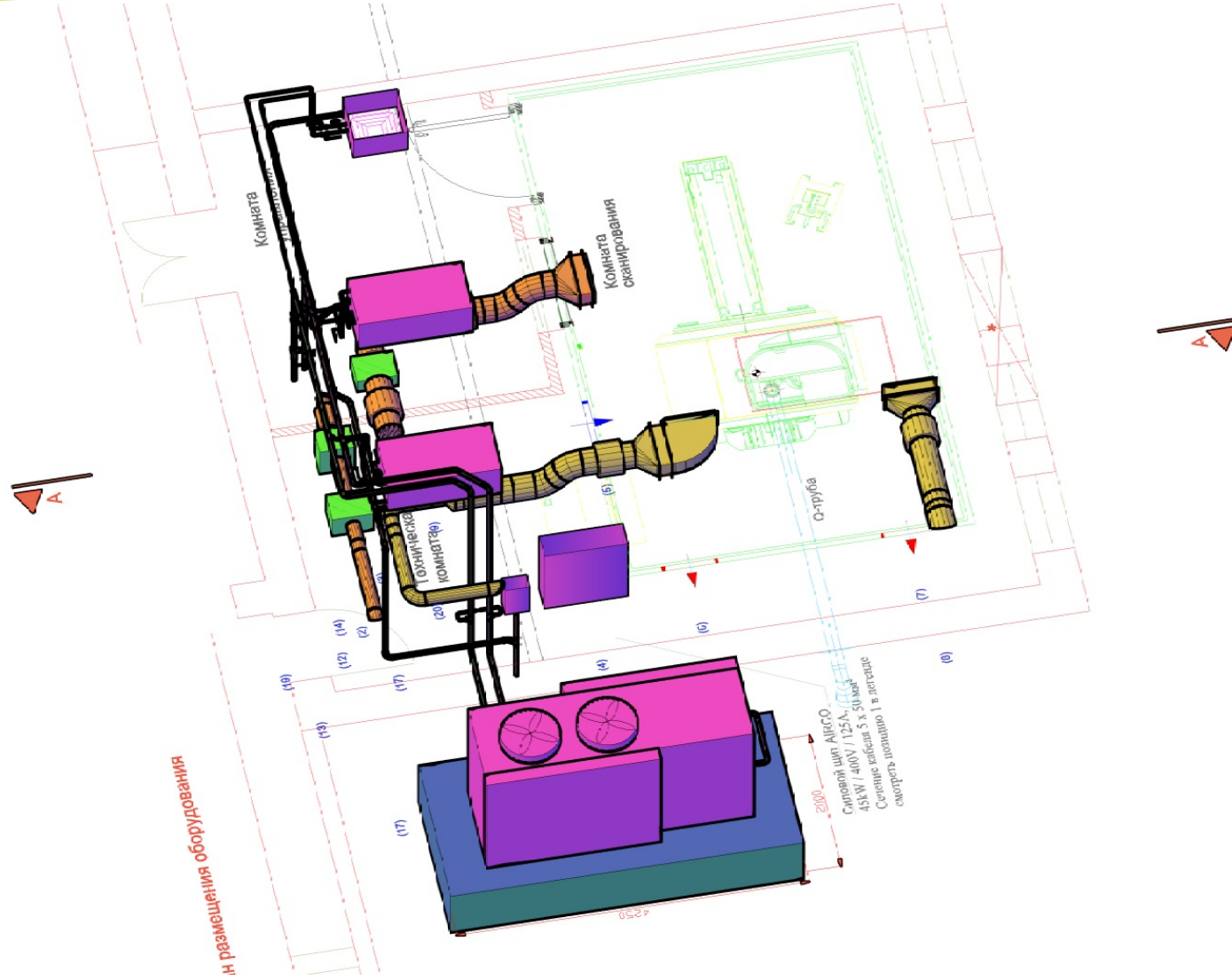
Range of services

- Cooling of MRI system components
- Air-conditioning of control, technical and examination room
- Humidification
- Emergency exhaust ventilation for examination room



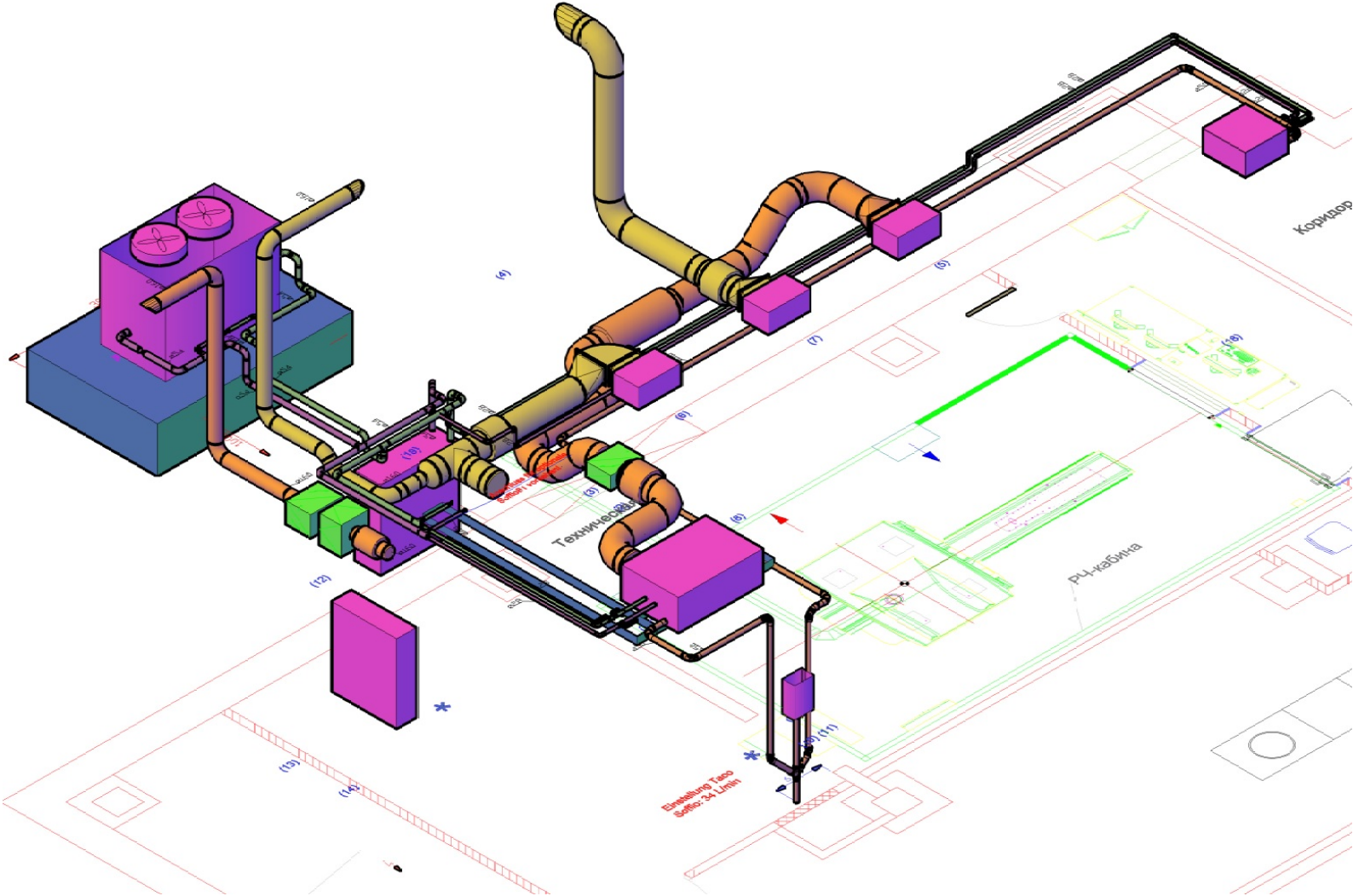
MRI ARCTIC-REFERENCES

Semey



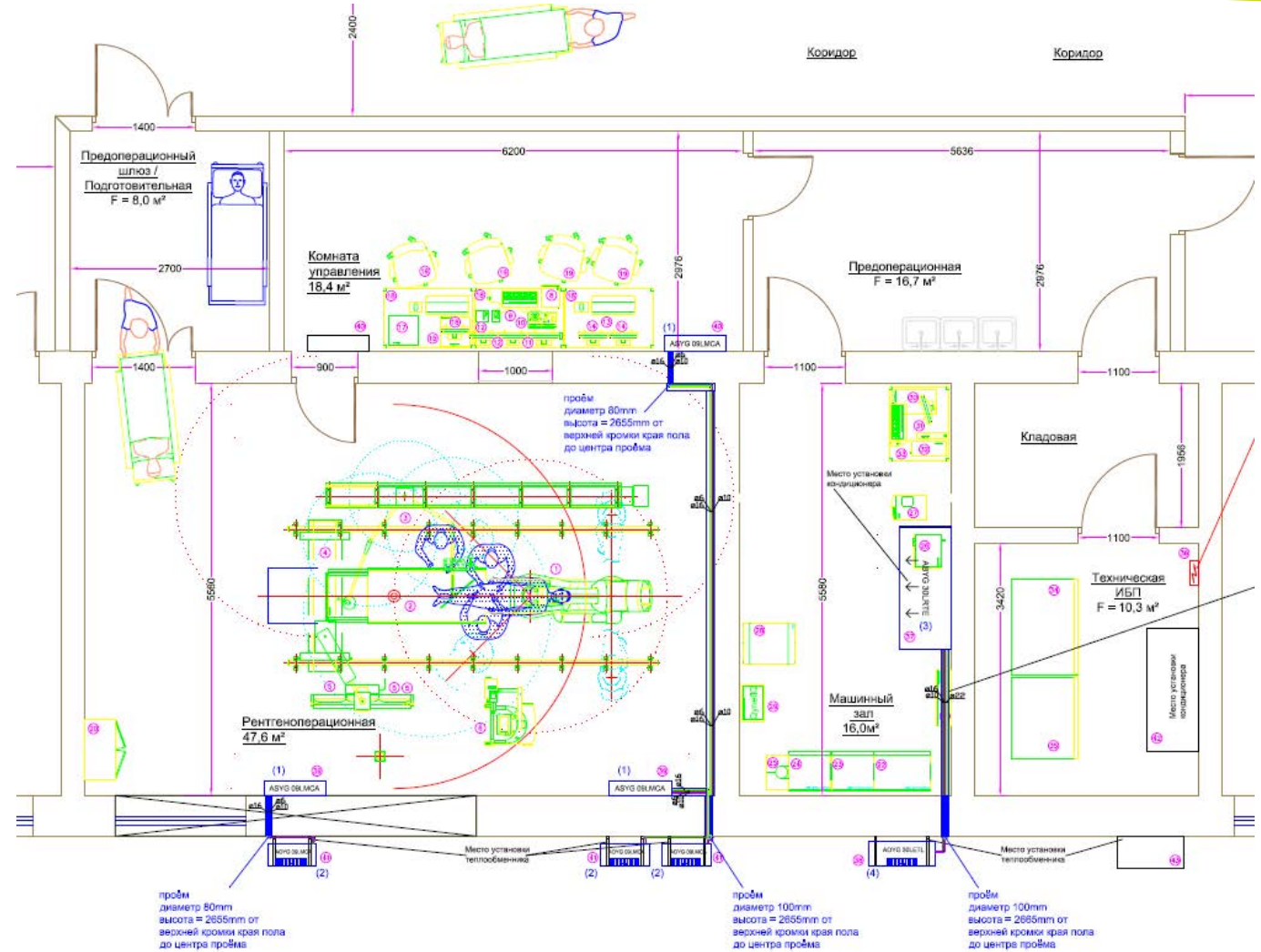
MRI NON-ARCTIC-REFERENCES

Moscow



Range of services

- Site visit (if necessary)
- Planning and design
- Air-conditioning of the control, technical and examination room via split air-conditioning technology



Bishkek, Kirghiz

ANGIO AND SURGERY AREAS

Range of services

- Ventilation and air-conditioning technology in line with DIN1946/4
- VDI 6022
- Operating room air classes 1a and 1b
- Measurement and control technology

Reference projects

- Homburg University Hospital, Saar/Germany
- Sana Hospital, Albstadt/Germany
- Schön Hospital, Hamburg/Germany
- Freising Hospital/Germany
- Ministry of Health Bishkek/Kirgizia



THESE CUSTOMERS TRUST US



KÄLTETECHNIK
KLIMATECHNIK
LÜFTUNGSTECHNIK



DeutscheKlima.RU

PTF

Thank you very much for your attention!

Get in touch with us.

Tel. + 49 671 480252
Fax + 49 671 480254

info@ks-klimatechnik.de
www.ks-klimatechnik.de

KS Kälte-, Klima- und Lüftungstechnik GmbH
Industriestraße 22
55543 Bad Kreuznach



DeutscheKlimat.RU
ООО "ДойчеКлимат.РУ"
115114, г. Москва, Шлюзовая
набережная, д. 8, стр. 1

Tel.: +7 495 787 76 24
Fax: +7 499 678 25 95
Mob: +7 967 181 07 16 (24/7)
E-Mail: info@de-klimat.ru
www.de-klimat.ru



PTF
Prince Matab Ibn Abdulaziz Road,
P.O.Box.270277 – Riyadh 11352
Riyadh, Kingdom of Saudi Arabia
Tel&Fax: +966-11-242 297 1
E-Mail: gm@ptf.com.sa
www.ptf.com.sa



KÄLTETECHNIK
KLIMATECHNIK
LÜFTUNGSTECHNIK